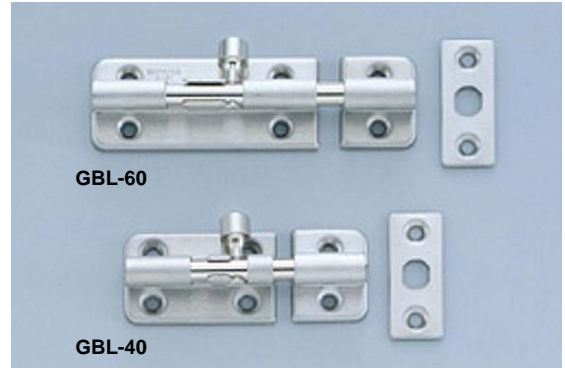
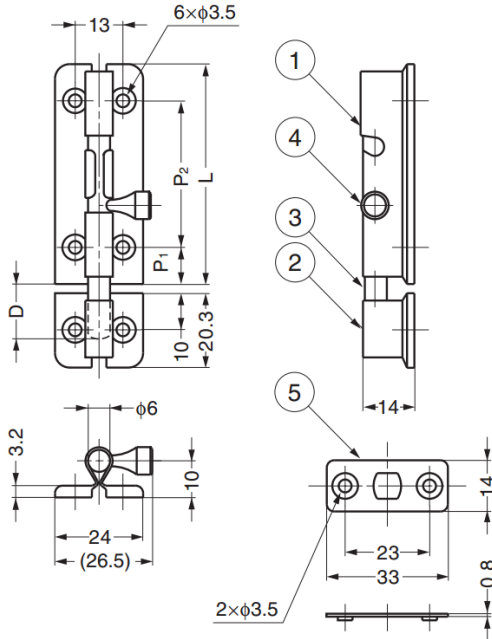


GBL Barrel Bolt

Features

- Ideal for harsh and high corrosion environments
- 2 counter plates included provide different mounting options



Parts Included

- Countersunk head wood screw 2.7×16 (SUS)

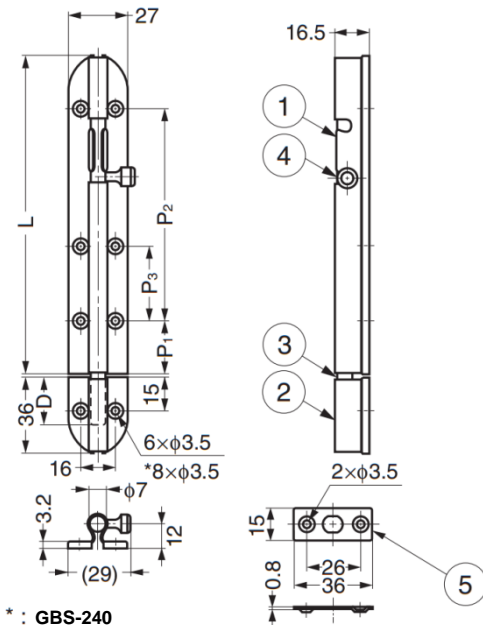
No.	Part Name	Material	Finish
①	Body	Stainless Steel (SUS304)	Satin
②	Strike	Stainless Steel (SUS304)	Satin
③	Bar	Brass	Nickel
④	Knob	Brass	Nickel
⑤	Counter Plate	Stainless Steel (SUS304)	Satin

Part No.	L	P ₁	P ₂	D
GBL-40	40	7.5	25	11
GBL-60	60	10	40	15

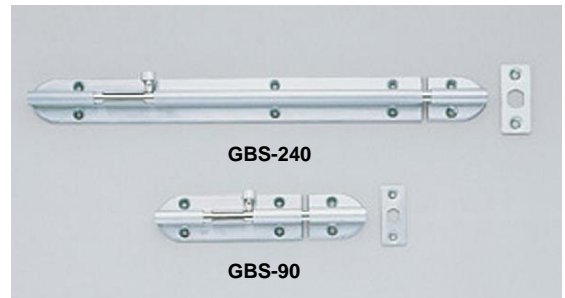
GBS Barrel Bolt

Features

- Ideal for harsh and high corrosion environments
- Can be installed vertically or horizontally
- 2 counter plates included provide different mounting options



* : GBS-240



Parts Included

- Countersunk head wood screw 3.1×16 (SUS)

No.	Part Name	Material	Finish
①	Body	Stainless Steel (SUS304)	Satin
②	Strike	Stainless Steel (SUS304)	Satin
③	Bar	Brass	Nickel
④	Knob	Brass	Nickel
⑤	Counter Plate	Stainless Steel (SUS304)	Satin

Part No.	L	P ₁	P ₂	P ₃	D
GBS-90	90	14.5	58	-	24
GBS-150	150	25	100	-	24
GBS-240	240	18.5	192	71	30